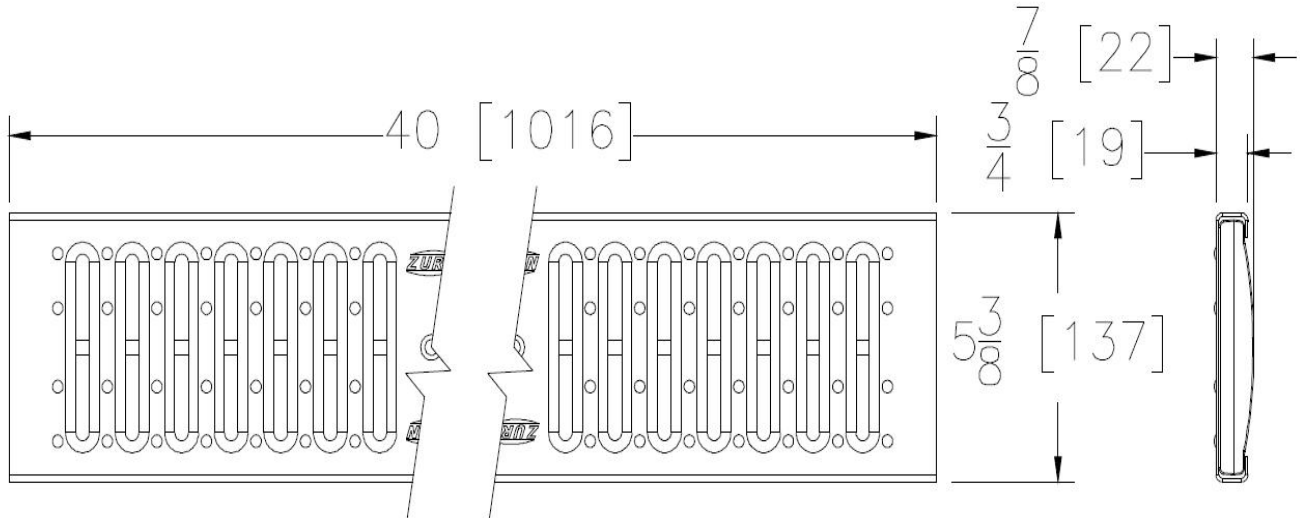


<b>Number</b>  <p style="text-align: center;"><b>308340</b></p>	<b>Series</b> <p style="text-align: center;"><b>Z886-RFSC</b> C Class Reinforced Stainless Steel Grate P6-RFSC</p>
---	---



**Specification**

The Zurn P6-RFSC Reinforced Slotted, Stainless Steel Grate, is 5-3/8 inches wide by 40 inches long, weighing 5.2 lbs per linear foot. The grate has an open area of 12.0 square inches per linear foot, DIN Rating of C, ANSI Rating of Heavy- Duty. H-20 Load Rating. Supplied by Trench Drain Supply.

<b>RFSC - Reinforced Slotted</b>	
Material:	Type 304 Stainless Steel
DIN Rating:	Class C
Weight:	5.2 lbs/ft.
Open Area:	12.0 in <sup>2</sup> /ft.
ANSI Rating:	Heavy-Duty
Application:	Roadway
Slot Width/Hole Size:	3/8"
ADA:	No
H-20:	Yes
FAA:	No

**Manufacturer**



DISCLAIMER - The customer and the customer's architects, engineers, consultants, and other professionals are completely responsible for the selection installation and maintenance of any product purchased from Trench Drain Supply and/or its manufacturers. TRENCH DRAIN SUPPLY MAKES NO WARRANTY, EXPRESS OR IMPLIED, AS TO THE SUITABILITY, DESIGN, MERCHANTABILITY, OR FITNESS OF THE PRODUCT FOR CUSTOMERS APPLICATION. The drawing and information provided remain the property and copyright of the manufacturer listed. The manufacturer reserves the right to modify specification without notice.